

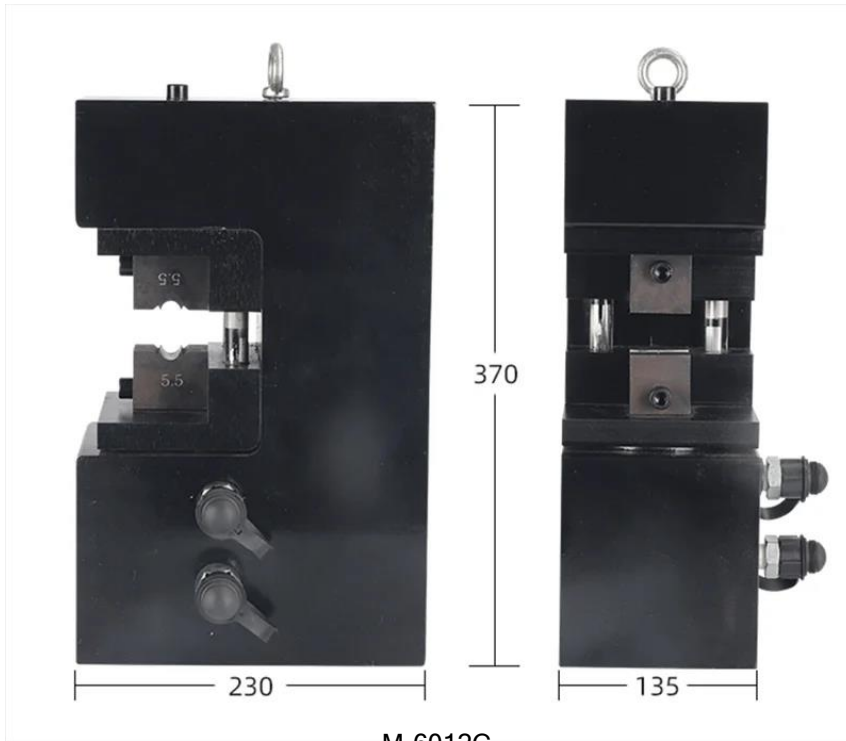


LIFTING TOOLS

WIRE ROPE CRIMPING TOOLS

**BARTON
TOOLS**

Wire Rope Crimping Tools



M-6012C

Model	M-6012C
Input	Double Acting Hydraulic Pump 700 bar
Crimping Range	Single Strand Max. 10mm Multiple Strand Max. 12.5mm
Output	60 Ton
Included Dies	6, 8, 12 mm
Unit Weight	75 kg
Packing Weight	86 kg
Packing Dimension	410x340x310 mm

**BARTON
TOOLS**

www.barton-tools.com