



LIFTING TOOLS HYDRAULIC CYLINDERS



Single-acting, Lock Nut Cylinders

Working pressure: 700 bar



Characteristics:

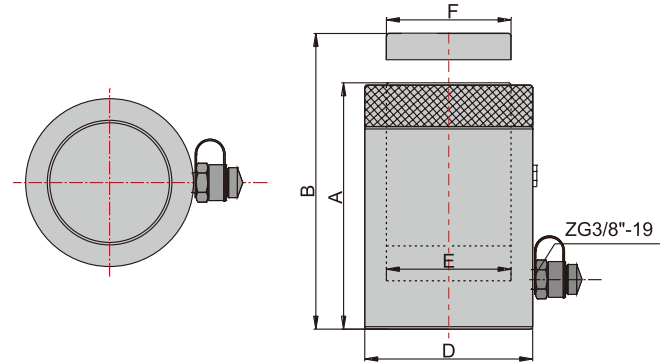
- Safety lock nut for mechanical load holding.
- Sing-acting, 10-200 ton cylinder models are spring. return, 250-1000 ton cylinder models are load return.
- Overflow port functions as a stroke limiter.
- High strength alloy steel for durability.
- Chrome plated piston resists wear and corrosion.
- Baked enamel finish for increased corrosion resistance.
- Each cylinder has an HH-II R2 3/8 male half coupler and dust cap.
- Each cylinder has a flat grooved saddle. Tilt saddle is available on request.



To secure loads mechanically

Mechanical lock to support load.
Overflow port prevents piston from being overextended.

Model	Cylinder Capacity @700 bar		Stroke (mm)	Effective area (cm ²)	Oil capacity (cm ³)
	Ton	KN			
HHYG-1050LS			50		90
HHYG-10100LS	10	111	100	15.9	171
HHYG-10150LS			150		255
HHYG-2050LS			50		168
HHYG-20100LS	20	198	100	28.3	316
HHYG-20150LS			150		467
HHYG-3050LS			50		248
HHYG-30100LS	30	309	100	44.2	475
HHYG-30150LS			150		706
HHYG-5050LS			50		406
HHYG-50100LS	50	496	100	70.8	773
HHYG-50150LS			150		1147
HHYG-10050LS			50		797
HHYG-100100LS	100	1002	100	143.1	1548
HHYG-100150LS			150		2299
HHYG-15050LS			50		1168
HHYG-150100LS	150	1496	100	213.7	2273
HHYG-150150LS			150		3377
HHYG-20050LS			50		1502
HHYG-200100LS	200	1984	100	283.4	2955
HHYG-200150LS			150		4408
HHYG-25050LS			50		1900
HHYG-250150LS	250	2540	150	362.9	5566
HHYG-250300LS			300		11047
HHYG-30050LS			50		2262
HHYG-300150LS	300	3165	150	452.2	6786
HHYG-300300LS			300		13572
HHYG-40050LS			50		2863
HHYG-400150LS	400	4006	150	572.3	8588
HHYG-400300LS			300		17177
HHYG-50050LS			50		3653
HHYG-500150LS	500	5111	150	730.2	10959
HHYG-500300LS			300		21918
HHYG-60050LS			50		4276
HHYG-600150LS	600	5984	150	854.9	12829
HHYG-600300LS			300		25659
HHYG-80050LS			50		5973
HHYG-800150LS	800	8358	150	1194	17919
HHYG-800300LS			300		35838
HHYG-100050LS			50		7261
HHYG-1000150LS	1000	10161	150	1451.5	21783
HHYG-1000300LS			300		43566



Closed height A (mm)	Extended Height B (mm)	Outside Dia. D (mm)	Inside Dia. E (mm)	Piston Rod Dia. F (mm)	Locknut height (mm)	G.W. (Kg)	Handle	Recommended pump	Model
144	194	68	45	45	28	4	No	HHB-700C	HHYG-1050LS
194	294					5.5	Yes		HHYG-10100LS
244	394					7	Yes		HHYG-10150LS
148	198	83	60	60	30	7	No	HHB-700	HHYG-2050LS
198	298					9	Yes		HHYG-20100LS
248	398					11.2	Yes		HHYG-20150LS
156	206	103	75	75	32	9.5	Yes	HHB-700C	HHYG-3050LS
206	306					12.7	Yes	HHB-700	HHYG-30100LS
256	406					15.5	Yes	HHB-700A	HHYG-30150LS
164	214	123	95	95	36	14.5	Yes	HHB-700	HHYG-5050LS
214	314					19	Yes		HHYG-50100LS
264	414					23.5	Yes		HHYG-50150LS
186	236	168	135	135	44	30.5	Eye bolts	HHB-700A	HHYG-10050LS
236	336					39	Eye bolts		HHYG-100100LS
286	436					47.5	Eye bolts		HHYG-100150LS
209	259	208	165	165	44	54	Eye bolts	HHB-700	HHYG-15050LS
259	359					66.5	Eye bolts		HHYG-150100LS
309	459					79.5	Eye bolts		HHYG-150150LS
243	293	238	190	190	50	80.5	Eye bolts	HHB-630A	HHYG-20050LS
293	393					97.5	Eye bolts		HHYG-200100LS
343	493					113.5	Eye bolts		HHYG-200150LS
249	299	275	215	215	56	115	Eye bolts	HHB-630M	HHYG-25050LS
349	499					163	Eye bolts		HHYG-250150LS
499	799					233	Eye bolts		HHYG-250300LS
296	346	285	240	240	60	136	Eye bolts	HHB-630M	HHYG-30050LS
396	546					185	Eye bolts		HHYG-300150LS
546	846					258	Eye bolts		HHYG-300300LS
321	371	325	270	270	70	207	Eye bolts	HHB-630M	HHYG-40050LS
421	571					270	Eye bolts		HHYG-400150LS
571	871					366	Eye bolts		HHYG-400300LS
356	406	372	305	305	80	301	Eye bolts	HHB-630M	HHYG-50050LS
456	606					385	Eye bolts		HHYG-500150LS
606	906					511	Eye bolts		HHYG-500300LS
376	426	402	330	330	85	370	Eye bolts	HHB-630M	HHYG-60050LS
476	626					470	Eye bolts		HHYG-600150LS
626	926					616	Eye bolts		HHYG-600300LS
441	491	472	390	390	100	603	Eye bolts	HHB-630M	HHYG-80050LS
541	691					736	Eye bolts		HHYG-800150LS
691	991					941	Eye bolts		HHYG-800300LS
491	541	530	430	430	110	847	Eye bolts	HHB-630M	HHYG-100050LS
591	741					1017	Eye bolts		HHYG-1000150LS
741	1041					1273	Eye bolts		HHYG-1000300LS