

Pull-out Anchor Tester



PRODUCT FEATURES:

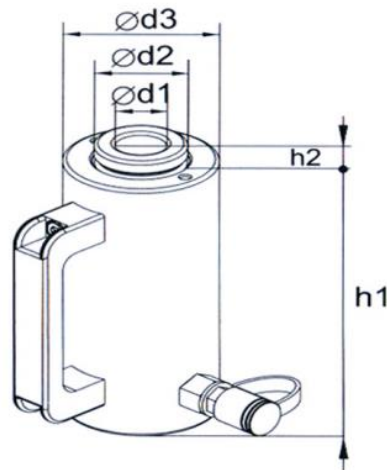
It is suitable for testing the anchoring force of various anchors, rebars, expansion bolts and other anchoring components and it can also be used for testing the tensile strength of glass curtain walls on-site. It is an ideal inspection instrument for all quality inspection units.

1. The main body of thicker high strength steel does not deform under high pressure;
2. During the precision machining, no oil leakage in the oil pump and one-way valve and the pressure remains constant;
3. Memory capacity of 500 data records and functioned with dot-matrix LCD with back lighting;
4. Zero tracking, peak hold and automatic shut down;
5. Automatic broken line correction to improve the accuracy of the instrument;
6. LCD monitor with wide viewing display for reading convenience;

7. Ultra power-saving design for working time of more than 200 hours.

Force Numerical Indicator

The integrated digital force numerical indicator adopts high-quality and high-impedance pressure sensors. It has good linearity, convenient calibration, stable force output, high precision and no temperature drift with integrated dust-proof buttons.



SPECIFICATIONS

SPECIFICATIONS	100kN	200kN	300kN	500kN	1000kN
Φ d1	27mm	35mm	45mm	60mm	85mm
Φ d2	49mm	65mm	74mm	104mm	148mm
Φ d3	81mm	116mm	125mm	160mm	220mm
h1	180mm	210mm	210mm	220mm	270mm
h2	11mm	11mm	11mm	11mm	22mm

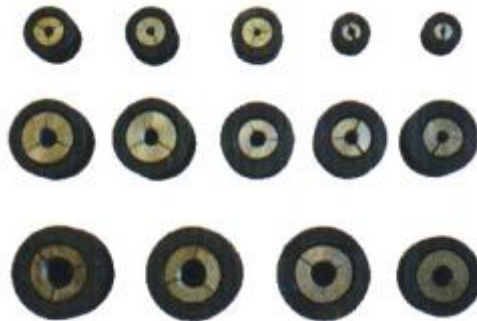
SPECIFICATIONS

Model	Cylinder center hole	Cylinder stroke	Measurement range	Cylinder weight	Common anchorage	Pull rod	Converter
LR-10T	27mm	60mm	0-100kN	5.5kg	Φ 6- Φ 20	M18	M6-20
LR-20T	35mm	80mm	0-200kN	13kg	Φ 6- Φ 25	M24	M6-24

LR-30T	45mm	80mm	0-300kN	15kg	Φ 6-Φ 32	M30	M6-30
LR-50T	60mm	120mm	0-500kN	25kg	Φ 6-Φ 40	M39	M6-36
LR-100T	85mm	150mm	0-1000kN	58kg	Φ 25-Φ 50	M45	M20-42

Pull rod, Converter, Gasket size

Rebar products accessories



Specification (mm) Φ 6, 8, 10, 12, 14, 16, 18, 20, 22, 25, 28, 32, 36, 38, 40, 50.

16 species in total



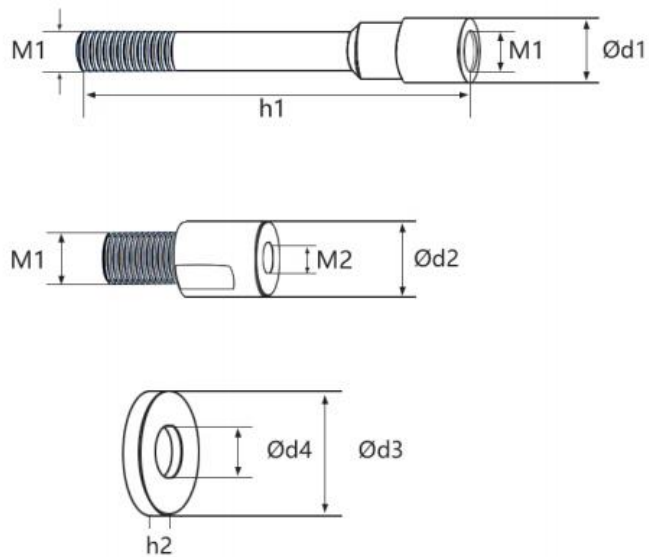
Three hole, multi hole, double hole



Common accessories for screw thread products such as expansion bolts and anchor bolts

Specification (mm) M6, 8, 10, 12, 14, 16, 18, 20, 22, 24, 27, 30, 33, 36, 39, 42.

16 species in total



Item		100kN	200kN	300kN	500kN	1000kN
Pull rod	M1	18mm	24mm	30mm	39mm	45mm
	h1	300mm	310mm	310mm	310mm	460mm
	Φ d1	26mm	33mm	43mm	50mm	63mm
Converter	M2	6~20mm	6~24mm	6~30mm	6~36mm	20~42mm
	Φ d2	26mm	33mm	33mm(6-18)	44mm(6-18)	63mm

				43mm(20-30)	50mm(20-36)	
Gasket	Φ d3	50mm	68mm	68mm	74mm	125mm
	Φ d4	18.5mm	24.5mm	31mm	40mm	46mm
	h2	6mm	10mm	10mm	15mm	32mm