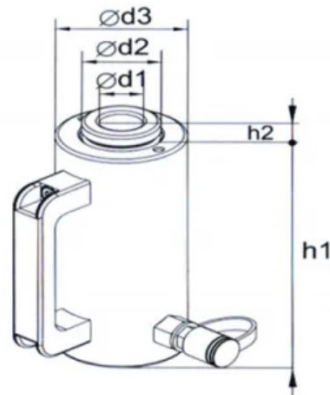




Anchor Pull Out Tester



SPECIFICATIONS

SPECIFICATIONS	100kN	200kN	300kN	500kN	1000kN
d1	27mm	35mm	45mm	60mm	85mm
d2	49mm	65mm	74mm	104mm	148mm
d3	81mm	116mm	125mm	160mm	220mm
h1	180mm	210mm	210mm	220mm	270mm
h2	11mm	11mm	11mm	11mm	22mm

Model	Cylinder center hole	Cylinder stroke	Measurement range	Cylinder weight	Common anchorage	Pull rod	Converter
LR-10T	27mm	60mm	0-100kN	5.5kg	Φ6-Φ20	M18	M6-20
LR-20T	35mm	80mm	0-200kN	13kg	Φ6-Φ25	M22	M6-24
LR-30T	45mm	80mm	0-300kN	15kg	Φ6-Φ32	M24	M6-30
LR-50T	60mm	120mm	0-500kN	25kg	Φ6-Φ40	M30	M6-36
LR-100T	85mm	150mm	0-1000kN	58kg	Φ25-Φ50	M40	M6-42