



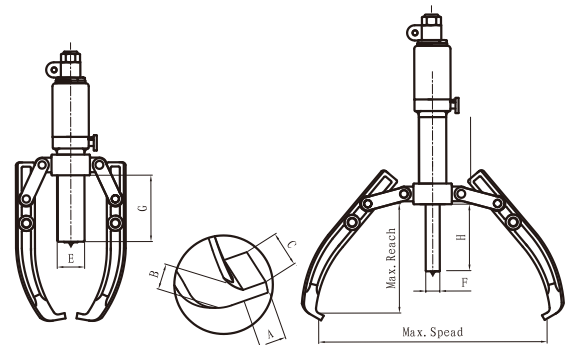
## Self-Contained Hydraulic Pullers

These tools are designed for removing a wide variety of gears, bearings, bushings, pulleys and other press-fitted parts.



### Characteristics:

- Use with 2 or 3 jaws.
  - High quality, forged steel jaws and crosshead provide superior reliability and service.
  - Precise hydraulic control allows fast, efficient and safe pulling.
  - High force hydraulic system for effortless pulling of large components.
  - More efficient pulling, as one man can do the job where manual pullers often require two operators.
  - Spring loaded live centering cone.
- 5, 10 and 20 ton sets all contained in a plastic carry case.  
30 and 50 ton sets all contained in a robust wooden box.



Model	Output (Ton)	Spread (mm)	Max Reach (mm)	Ram stroke (mm)	Dimensions(mm)						Weight (Kg)	Packing size (cm)
					E	F	G	A	B	C		
HHL-5	5	50-200	140	50	45	23	106	12.5	22.5	26	7.6	42×29×9
HHL-10	10	50-250	170	60	56	26	97	14	30	30	10.1	43×33×11
HHL-20	20	100-350	205	70	78	33	105	21	33.5	33	18.6	44×35×13
HHL-30	30	150-400	220	70	90	38	103	26	36	35	24.2	48×20×18
HHL-50	50	200-500	250	60	114	48	117	25	46	40	42.9	52×25×22

## Self-contained Hydraulic Grip Pullers



### Characteristics:

- Use with 3 jaws.
- High quality, forged steel jaws and crosshead provide superior reliability and service.
- Safety Cage' guides jaws, holding them securely onto the part.
- Built-in safety valve prevents overload.
- Precise hydraulic control allows fast, efficient and safe pulling.
- High force hydraulic system for effortless pulling of large components.
- More efficient pulling, as one man can do the job where manual pullers often require two operators.
- Spring loaded live centering cone.

Model	Output (Ton)	Spread (mm)	Max Reach (mm)	Ram stroke (mm)	Weight (Kg)	Packing size (cm)
HHL-5B	5	20-200	160	60	8	42×29×9
HHL-10B	10	20-300	210	80	11	43×33×11
HHL-15B	15	20-360	240	100	19	44×35×13



# PULLING TOOLS HYDRAULIC PULLERS



## Hydraulic Puller and Hand Pump sets

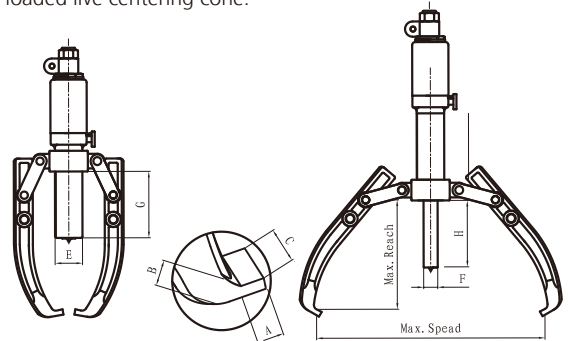
Easy and quick set-up.

The hydraulic hand pump can be detached for other tanks requires dependable hydraulic power, assuring maximum return on your investment.

Hand pump with hose allows operation from a distance, which enhances safety and reduces operator fatigue.

### Characteristics:

- Use with 2 or 3 jaws.
- High quality, forged steel jaws and crosshead provide superior reliability and service.
- Precise hydraulic control allows fast, efficient and safe pulling.
- High force hydraulic system for effortless pulling of large components.
- More efficient pulling, as one man can do the job where manual pullers often require two operators.
- Spring loaded live centering cone.



Model	Out put (Ton)	Spread (mm)	Max Reach (mm)	Ram stroke (mm)	Dimensions(mm)						Pump model	Weight (Kg)	Packing size (cm)
					E	F	G	A	B	C			
HHL-5F	5	200	140	50	45	23	106	12.5	22.5	26	HHB-700C	10.2	48×26×13
HHL-10F	10	250	170	60	56	26	97	14	30	30	HHB-700	12.9	48×26×13
HHL-20F	20	350	205	70	78	33	105	21	33.5	33	HHB-700	15.7	48×20×18
HHL-30F	30	400	220	70	90	38	103	26	36	35	HHB-700	33	52×25×22
HHL-50F	50	500	250	60	114	48	117	25	46	40	HHB-700	37.8	52×25×22
HHL-100F	100	650	280	80	168	65	220	32	47	50	HHB-630	130	99×30×25

## Hydraulic Grip Puller and Hand Pump sets



### Characteristics:

- Use with 3 jaws.
- High quality, forged steel jaws and crosshead provide superior reliability and service.
- Safety Cage' guides jaws, holding them securely onto the part.
- Built-in safety valve prevents overload.
- Precise hydraulic control allows fast, efficient and safe pulling.
- High force hydraulic system for effortless pulling of large components.
- More efficient pulling, as one man can do the job where manual pullers often require two operators.
- Spring loaded live centering cone.
- Supplied with aluminum hydraulic hand pump HHB-700F.

Model	Output (Ton)	Spread (mm)	Max Reach (mm)	Ram stroke (mm)	Weight (Kg)	Packing size (cm)
HHL-20BF	20	25-420	285	100	22	48×20×18
HHL-30BF	30	25-515	340	100	40	52×25×22





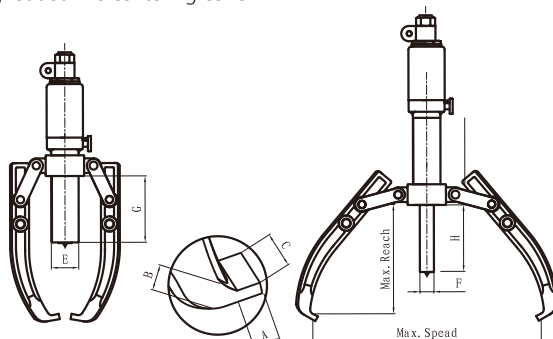
## Air Hydraulic Pullers

Air Hydraulic Pullers are used where air compressor is the preferred source of power, featuring time- and labour-saving operation, and increased productivity.



### Characteristics:

- Use with 2 or 3 jaws.
- High quality, forged steel jaws and crosshead provide superior reliability and service.
- Air hydraulic control allows fast, efficient and safe pulling.
- High force hydraulic system for effortless pulling of large components.
- More efficient pulling, as one man can do the job where manual pullers often require two operators.
- Spring loaded live centering cone.



Model	Output (Ton)	Spread (mm)	Max Reach (mm)	Ram stroke (mm)	Dimensions(mm)						Weight (Kg)	Packing size (cm)
					E	F	G	A	B	C		
HHL-5Q	5	200	140	50	45	23	106	12.5	22.5	26	7.3	60×15×17
HHL-10Q	10	250	170	60	56	26	97	14	30	30	10.9	60×15×17
HHL-20Q	20	350	205	70	78	33	105	21	33.5	33	19.2	57×20×18
HHL-30Q	30	400	220	70	90	38	103	26	36	35	25.5	62×20×18
HHL-50Q	50	500	250	60	114	48	117	25	46	40	44.2	67×25×22

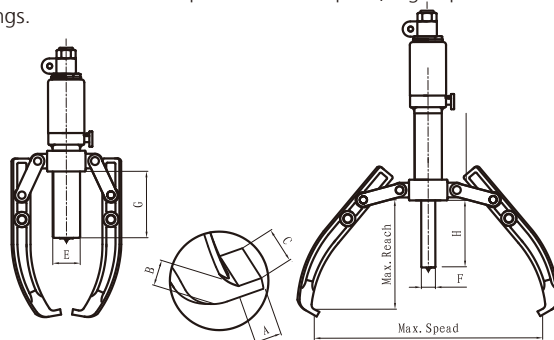
## Skid-Resistant Hydraulic Pullers

Slim tapered jaws for better gripping in tight spots.



### Characteristics:

- Effortless pulling of large components as one man can do the job.
- High quality, forged steel jaws and crosshead provide superior reliability and service.
- Because of the safety jaw retention system, the pullers will grip on surfaces where normal pullers would slip off, e.g. tapered bearings.



Model	Output (Ton)	Spread (mm)	Max Reach (mm)	Ram stroke (mm)	Dimensions(mm)						Weight (Kg)	Packing size (cm)
					E	F	G	A	B	C		
HHL-5S	5	50-250	140	50	45	23	106	10	10	20	13.8	60×12×17
HHL-10S	10	50-300	170	60	56	26	97	10	10	20	15.1	57×18×16
HHL-20S	20	100-400	205	70	78	33	105	12	12	22.5	20.4	62×25×22