



LIFTING TOOLS HYDRAULIC CYLINDERS



Double-acting General Purpose Cylinders

Working pressure : 700bar



Versatile, rugged cylinders for tough job site uses and high-cycle industrial uses

Characteristics:

- Double-acting for rapid piston retraction.
- High strength alloy steel for durability.
- Chrome plated piston resists wear and corrosion.
- Baked enamel finish for increased corrosion resistance.
- Dust wiper on piston rod reduces contamination.
- Grooved piston rods require no saddle.
- Each cylinder has two HH-II R2 3/8 male half couplers and dust caps.



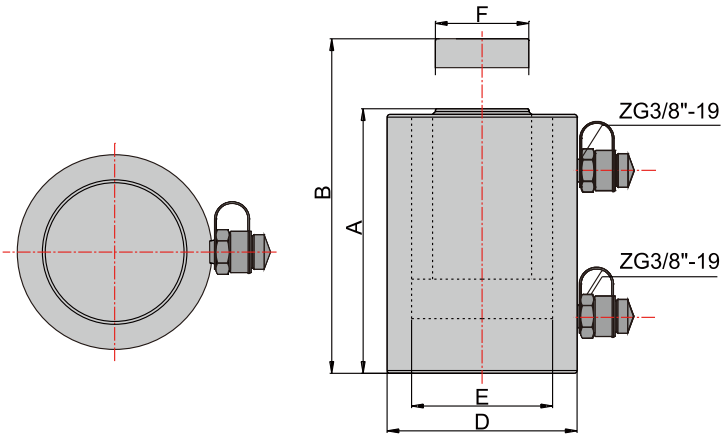
↑ HHYG cylinder is the best solution to precise c



↑ HHYG hydraulic synchronous lifting system are being used to separate the reducer and rolling press.

Model	Cylinder Capacity @700 bar			Stroke (mm)	Effective area (cm ²)	
	Ton	Push (KN)	Pull (KN)		push	pull
HHYG-10250S	10	137	70	250	19.6	10
HHYG-10300S				300		
HHYG-20250S	20	198	110	250	28.3	15.7
HHYG-20300S				300		
HHYG-30200S	30	309	172	200	44.2	24.6
HHYG-30300S				300		
HHYG-50200S	50	496	227	200	70.8	32.4
HHYG-50300S				300		
HHYG-100200S	100	1002	557	200	143.1	79.5
HHYG-100300S				300		
HHYG-20050S	200	1984	982	50	283.4	140.3
HHYG-200150S				150		
HHYG-200300S	250	2540	760	300	362.9	108.5
HHYG-25050S				50		
HHYG-250150S	300	3165	967	150	452.2	138.2
HHYG-250300S				300		
HHYG-30050S	400	4006	1346	50	572.3	192.3
HHYG-300150S				150		
HHYG-300300S	500	5111	1677	300	730.2	239.6
HHYG-40050S				50		
HHYG-400150S	600	5984	1978	150	854.9	282.6
HHYG-400300S				300		
HHYG-60050S	800	8358	2731	50	1194	390.1
HHYG-600150S				150		
HHYG-600300S	1000	10161	3039	300	1451.5	434.1
HHYG-80050S				50		
HHYG-800150S	1000	10161	3039	150	1451.5	434.1
HHYG-800300S				300		
HHYG-100050S	1000	10161	3039	50	1451.5	434.1
HHYG-1000150S				150		
HHYG-1000300S	1000	10161	3039	300	1451.5	434.1
HHYG-100050S				50		





Pump Selection

A double-acting cylinder must be powered by a two-way hydraulic pump

Oil capacity (cm ³)		Closed height A (mm)	Extended Height B (mm)	Outside Dia. D (mm)	Inside Dia. E (mm)	Piston Rod Dia. F (mm)	G.W. (Kg)	Handle	Recommended pump	Model
push	pull									
491	250	380	630	70	50	35	10	No	HHB-630B	HHYG-10250S
589	300	430	730							11
707	393	390	640	80	60	40	13	No		HHYG-20250S
848	471	440	740							15
884	492	364	564	95	75	50	17	No		HHYG-30200S
1325	738	464	764							21
1418	648	374	574	120	95	70	29	No		HHYG-50200S
2126	971	474	774							35
2863	1590	389	589	175	135	90	60	No		HHYG-100200S
4294	2384	489	789							73
1418	702	217	267	228	190	135	63	Eye bolts		HHYG-20050S
4253	2105	317	467							84
8506	4210	467	767	270	215	180	146	Eye bolts		HHYG-200300S
1815	543	261	311							102
5446	1628	361	511	325	270	220	135	Eye bolts		HHYG-250150S
10892	3256	511	811						184	Eye bolts
2262	691	280	330	285	240	200	133	Eye bolts	HHYG-30050S	
6786	2072	380	530						173	Eye bolts
13572	4145	530	830	372	305	250	231	Eye bolts	HHYG-300300S	
2863	962	341	391						211	Eye bolts
8588	2885	441	591	325	270	220	262	Eye bolts	HHYG-400150S	
17177	5770	591	891						336	Eye bolts
3653	1198	376	426	372	305	250	309	Eye bolts	HHB-630B-III	HHYG-50050S
10959	3594	476	626						360	Eye bolts
21918	7189	626	926	402	330	270	460	Eye bolts	HHYG-500300S	
4276	1413	397	447						381	Eye bolts
12829	4239	497	647	472	390	320	458	Eye bolts	HHYG-600150S	
25659	8478	647	947						575	Eye bolts
5973	1951	438	488	530	430	360	583	Eye bolts	HHYG-80050S	
17919	5852	538	688						681	Eye bolts
35838	11704	688	988	530	430	360	850	Eye bolts	HHYG-800300S	
7261	2171	493	543						830	Eye bolts
21783	6512	593	743	530	430	360	970	Eye bolts	HHYG-1000150S	
43566	13023	743	1043						1177	Eye bolts