



LIFTING TOOLS HYDRAULIC CYLINDERS



Single-acting General Purpose Cylinders

Working pressure : 700bar



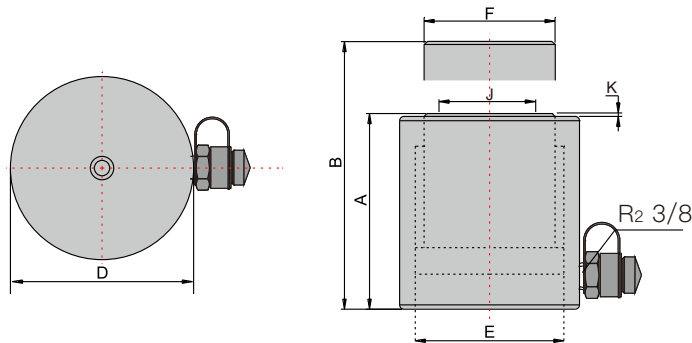
Characteristics:

- Designed for use in all positions.
- High strength alloy steel for durability.
- Chrome plated piston resists wear and corrosion.
- Dust wiper on piston rod reduces contamination.
- Baked enamel finish for increased corrosion resistance.
- All cylinders are proof tested to 125% of capacity before leaving our factory.
- 10-100 ton cylinder bores are roller burnished to harden the surface and make it smoother.
- 10-200 ton cylinder models are spring return, 250-1000 ton cylinder models are load return.
- Each cylinder has an HH-II R2 3/8 male half coupler and dust cap.
- Each cylinder has a flat grooved saddle.
- Tilt saddle is available on request.



Model	Cylinder Capacity @700 bar		Stroke (mm)	Effective area (cm ²)	Oil capacity (cm ³)	Closed height A (mm)
	Ton	KN				
HHYG-1050	10	111	50	15.9	85	122
HHYG-10100			100		169	172
HHYG-10150			150		254	222
HHYG-2050	20	198	50	28.3	157	126
HHYG-20100			100		311	176
HHYG-20150			150		465	226
HHYG-3050	30	309	50	44.2	237	137
HHYG-30100			100		471	187
HHYG-30150			150		705	237
HHYG-5050	50	496	50	70.8	389	147
HHYG-50100			100		768	197
HHYG-50150			150		1147	247
HHYG-10050	100	1077	50	1539	833	182
HHYG-100100			100		1584	232
HHYG-100150			150		2335	282
HHYG-15050	150	1496	50	213.7	1133	182
HHYG-150100			100		2237	232
HHYG-150150			150		3342	282
HHYG-20050	200	1984	50	283.4	1500	202
HHYG-200100			100		2953	252
HHYG-200150			150		4406	302
HHYG-25050	250	2540	50	362.9	1815	248
HHYG-250150			150		5446	348
HHYG-250300			300		10892	498
HHYG-30050	300	3165	50	452.2	2262	267
HHYG-300150			150		6786	367
HHYG-300300			300		13572	517
HHYG-40050	400	4006	50	572.3	2863	315
HHYG-400150			150		8588	415
HHYG-400300			300		17177	565
HHYG-50050	500	5111	50	730.2	3653	345
HHYG-500150			150		10959	445
HHYG-500300			300		21918	595
HHYG-60050	600	5984	50	854.9	4276	371
HHYG-600150			150		12829	471
HHYG-600300			300		25659	621
HHYG-80050	800	8358	50	1194	5973	424
HHYG-800150			150		17919	524
HHYG-800300			300		35838	674
HHYG-100050	1000	10161	50	1451.5	7261	477
HHYG-1000150			150		21783	577
HHYG-1000300			300		43566	727





TLP General Purpose Cylinders with tilt saddles are lifting the bridge deck in pier reconstruction.

Extended Height B (mm)	Outside Dia. D (mm)	Inside Dia. E (mm)	Piston Rod Dia. F (mm)	G.W. (Kg)	Standard Saddle Dia. J (mm)	Saddle Protr. From Plgr. K (mm)	Handle	Recommended pump	Model
172	68	45	36	3.1	27.5	2	No	HHB-700C	HHYG-1050
272				4.4			Yes		HHYG-10100
372				5.7			Yes		HHYG-10150
176	83	60	45	4	37.5	2	No	HHB-700	HHYG-2050
276				5.3			Yes		HHYG-20100
376				6.6			Yes		HHYG-20150
187	103	75	65	7.9	48.5	2	No	HHB-700C	HHYG-3050
287				10.7			Yes		HHYG-30100
387				13.5			Yes		HHYG-30150
197	123	95	70	11.6	57.5	2	No	HHB-700A	HHYG-5050
297				14.9			Yes		HHYG-50100
397				18			Yes		HHYG-50150
232	178	140	100	25.7	83	2	Yes	HHB-700A	HHYG-10050
332				30.6			Eye bolts		HHYG-100100
432				43.3			Eye bolts		HHYG-100150
232	205	165	115	43	89	4	Eye bolts	HHB-630A	HHYG-15050
332				53			Eye bolts		HHYG-150100
432				63			Eye bolts		HHYG-150150
252	228	190	135	60	109	4	Eye bolts	HHB-700A	HHYG-20050
352				71			Eye bolts		HHYG-200100
452				83			Eye bolts		HHYG-200150
298	270	215	180	105	16.3	1	Eye bolts	HHB-630A	HHYG-25050
498				142			Eye bolts		HHYG-250150
798				196			Eye bolts		HHYG-250300
317	285	240	200	126	177	1	Eye bolts	HHB-630A	HHYG-30050
517				165			Eye bolts		HHYG-300150
817				224			Eye bolts		HHYG-300300
365	325	270	220	195	198	2	Eye bolts	HHB-630M	HHYG-40050
565				245			Eye bolts		HHYG-400150
865				318			Eye bolts		HHYG-400300
395	373	305	250	283	228	2	Eye bolts	HHB-630M	HHYG-50050
595				349			Eye bolts		HHYG-500150
895				451			Eye bolts		HHYG-500300
421	402	330	270	354	247	2	Eye bolts	HHB-630M	HHYG-60050
621				431			Eye bolts		HHYG-600150
921				546			Eye bolts		HHYG-600300
474	472	390	320	560	293	2	Eye bolts	HHB-630M	HHYG-80050
674				665			Eye bolts		HHYG-800150
974				825			Eye bolts		HHYG-800300
527	530	430	360	799	326	2	Eye bolts	HHB-630M	HHYG-100050
727				937			Eye bolts		HHYG-1000150
1027				1145			Eye bolts		HHYG-1000300