



LIFTING TOOLS HYDRAULIC CYLINDERS



Single-acting Aluminum Cylinders

Working pressure : 700bar



Half the weight of steel cylinders of comparable capacity

Aluminum body resists sparking in explosive environment.

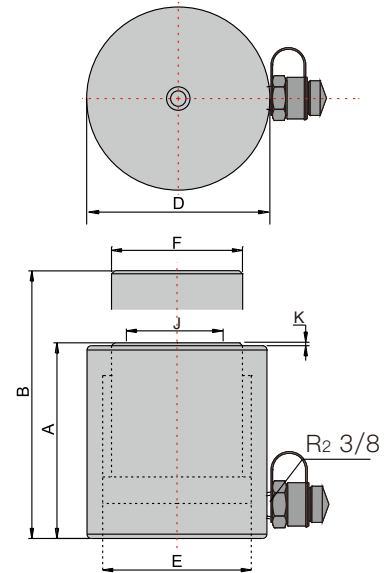
Hard-coated aluminum piston rod and cylinder bore resist wear and corrosion.

Characteristics:

- Lightweight for maximum portability.
- Hard-coat finish on all surfaces resists damage and extends cylinder life.
- Single acting, spring return.
- Each cylinder has an HH-II R2 3/8 male half coupler and dust cap.
- Each cylinder has a flat grooved saddle. Tilt saddle is available on request.

Model	Cylinder Capacity @700 bar		Stroke (mm)	Effective area (cm ²)	Oil capacity (cm ³)	Closed height A (mm)
	Ton	KN				
HHYG-1050L	10	111	50	15.9	85	142
HHYG-10100L			100		169	192
HHYG-10150L			150		254	242
HHYG-2050L	20	198	50	28.3	157	162
HHYG-20100L			100		311	212
HHYG-20150L			150		465	262
HHYG-3050L	30	309	50	44.2	240	172
HHYG-30100L			100		474	222
HHYG-30150L			150		707	272
HHYG-5050L	50	496	50	70.8	391	182
HHYG-50100L			100		770	232
HHYG-50150L			150		1149	282
HHYG-10050L	100	1002	50	143.1	783	208
HHYG-100100L			100		1534	258
HHYG-100150L			150		2285	308
HHYG-15050L	150	1496	50	213.7	1136	233
HHYG-150100L			100		2241	283
HHYG-150150L			150		3345	333
HHYG-20050L	200	1984	50	283.4	1485	263
HHYG-200100L			100		2938	313
HHYG-200150L			150		4391	363
HHYG-200200L			200		5844	413
HHYG-200250L			250		7297	463





Extended Height B (mm)	Outside Dia. D (mm)	Inside Dia. E (mm)	Piston Rod Dia. F (mm)	G.W. (Kg)	Standard Saddle Dia. J (mm)	Saddle Protr. From Plgr. K (mm)	Handle	Recommended pump	Model
192	60	45	38	1.2	30	2	No	HHB-700C	HHYG-1050L
292				1.7			HHYG-10100L		
392				2.1			HHYG-10150L		
212	85	60	52	3	41	2	No	HHB-700	HHYG-2050L
312				3.8			HHYG-20100L		
412				4.6			HHYG-20150L		
222	110	75	62	5.1	49	2	No	HHB-700C	HHYG-3050L
322				6.4			HHB-700	HHYG-30100L	
422				7.6			HHB-700A	HHYG-30150L	
232	140	95	80	8.6	67	2	No	HHB-700	HHYG-5050L
332				10.5			HHYG-50100L		
432				12.5			HHYG-50150L		
258	180	135	110	17	99	2	Eye bolts	HHB-700A	HHYG-10050L
358				20.5			HHYG-100100L		
458				23.3			HHYG-100150L		
283	230	165	135	30.9	114	4	Eye bolts	HHB-630A	HHYG-15050L
383				35.9			HHYG-150100L		
483				40.9			HHYG-150150L		
313	270	190	160	47.5	139	4	Eye bolts	HHB-700A	HHYG-20050L
413				51.6			HHYG-200100L		
513				61.2			HHYG-200150L		
613				68			HHYG-200200L		
713				74.8			HHYG-200250L		