



# LIFTING TOOLS HYDRAULIC CYLINDERS



## Single-acting Hollow Plunger Cylinders

Working pressure: 700bar



For use in Testing,  
Maintenance  
and Tensioning  
Applications

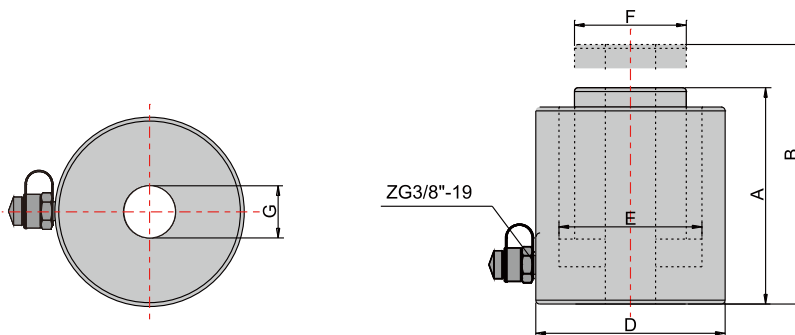
### Characteristics:

- Hollow plunger design allows for both push and pull forces.
- Single acting, spring return.
- High strength alloy steel for durability.
- Baked enamel finish for increased corrosion resistance
- Each cylinder has an HH-II R2 3/8 male half coupler and dust cap.



Model	Cylinder Capacity @700 bar		Stroke (mm)	Effective area (cm <sup>2</sup> )
	Ton	KN		
HHYG-2050K	20	205	50	29.3
HHYG-20100K			100	
HHYG-3050K	30	334	50	47.7
HHYG-30100K			100	
HHYG-6050K	60	562	50	80.3
HHYG-60100K			100	
HHYG-10075K	100	946	75	135.2





Oil capacity (cm <sup>3</sup> )	Closed height A (mm)	Extended Height B (mm)	Outside Dia. D(mm)	Centre hole G (mm)	Inside Dia. E (mm)	Piston Rod Dia. F (mm)	G.W. (Kg)	Handle	Recommended pump	Model
146	161	211	98	27	73	54	7.5	No	HHB-700	HHYG-2050K
292	223	323					10	No		HHYG-20100K
239	180	230	114	33	90	9	No	HHYG-3050K		
477	246	346				14.5	No	HHYG-30100K		
402	247	297	158	54	123	30.2	Removable carrying handles	HHB-700A		HHYG-6050K
803	304	404				36.2				HHYG-60100K
1015	276	351	212	80	165	57			HHYG-10075K	