



LIFTING TOOLS HYDRAULIC CYLINDERS



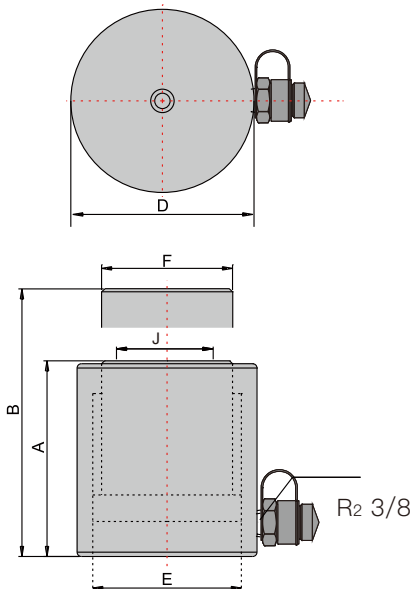
Single-acting Medium-Height Cylinders

Working pressure : 700bar



Characteristics:

- Designed for use in all positions.
- High strength alloy steel for durability.
- Chrome plated piston resists wear and corrosion.
- Dust wiper on piston rod reduces contamination.
- Baked enamel finish for increased corrosion resistance.
- All cylinders are proof tested to 125% of capacity before leaving our factory.
- 10-100 ton cylinder bores are roller burnished to harden the surface and make it smoother.
- 10-200 ton cylinder models are spring return, 250-1000 ton cylinder models are load return.
- Each cylinder has an HH-II R2 3/8 male half coupler and dust cap.
- Each cylinder has a flat grooved saddle.
- Tilt saddle is available on request.



Model	Cylinder Capacity @700 bar		Stroke (mm)	Effective area (cm ²)	Oil capacity (cm ³)	Closed height A (mm)
	Ton	KN				
RSC-101 FCY-10 FCY-10150	10	111	50	15.89	85	108
100			169		157	
150			254		207	
RSC-201 FCY-20 FCY-20150	20	198	50	33.16	157	111
100			311		160	
150			465		210	
RSC-301 FCY-30 FCY-30150	30	309	50	50.24	237	111
100			471		164	
150			705		214	
RSC-501 FCY-50 FCY-50150	50	496	50	78.5	389	116
100			768		166	
150			1147		216	
RSC-1001 FCY-100 FCY-100150	100	1077	50	143.06	833	126
100			1584		176	
150			2335		226	
RSC-15050 FCY-150	150	1496	50	226.8	1133	126
100			2237		176	
RSC-20050 FCY-200	200	1984	50	302.5	1500	131
100			2953		181	

Extended Height B (mm)	Outside Dia. D (mm)	Inside Dia. E (mm)	Piston Rod Dia. F (mm)	G.W. (Kg)	Standard Saddle Dia. J (mm)
158	63	55	45	2.4	27.5
257				3.4	
357				4.5	
161	88	80	65	4.4	37.5
260				6.2	
360				7.7	
161	108	95	80	6.4	48.5
264				9.6	
364				12.5	
166	128	115	100	9.4	57.5
266				12.6	
366				17.5	
176	178	150	135	20.4	83
276				26.5	
376				34	
176	208	180	170	33.6	89
276				47	
181	247	220	196	42	109
281				65	

