



## Hydraulic Busbar Punch CH Series

Model	CH-60
Pump System	Min. 700ml 700bar Hydraulic Pump
Output	31 Ton
Punch Dies	3/8" (10.5mm), 1/2" (13.5mm), 5/8" (17mm), 3/4" (20.5mm)
Max. Thickness	8 mm (Mild Steel) 10 mm (Copper/Aluminum Busbar)
Throat Depth	95 mm
Packing Weight	18 kg
Packing Dimension	260x160x390 mm



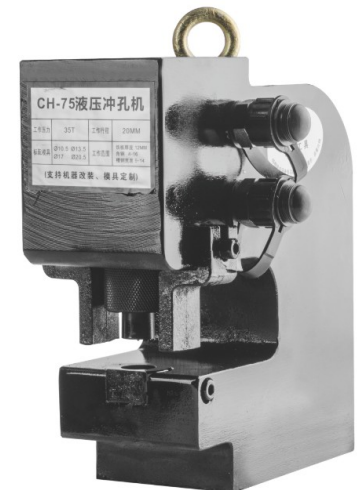
Model	CH-70/CH-70L
Pump System	Min. 700ml 700bar Hydraulic Pump
Output	35 Ton
Punch Dies	3/8" (10.5mm), 1/2" (13.5mm), 5/8" (17mm), 3/4" (20.5mm)
Max. Thickness	8 mm (Mild Steel) 12 mm (Copper/Aluminum Busbar)
Throat Depth	110 mm
Packing Weight	36 kg
Packing Dimension	320x185x390 mm



CH-70

CH-70L

Model	CH-75B
Pump System	Min. 2700ml 700bar Hydraulic Pump Double Acting
Output	35 Ton
Punch Dies	10.5mm, 13.8mm, 17mm, 20.5mm
Max. Thickness	12 mm (Mild Steel) 15 mm (Copper/Aluminum Busbar)
Throat Depth	90 mm
Features	Can Fit C Steel, U Steel, Angle Steel
Packing Weight	39 kg
Packing Dimension	310x200x330 mm





Model	CH-80
Pump System	Min. 2700ml 700bar Hydraulic Pump
	Double Acting
Output	50 Ton
Punch Dies	16mm, 18mm, 22mm, 25mm
Max. Thickness	16 mm (Mild Steel)
	20 mm (Copper/Aluminum Busbar)
Throat Depth	115 mm
Packing Weight	86 kg
Packing Dimension	370x215x465 mm



Model	CH-80H for H Beam
Pump System	Min. 2700ml 700bar Hydraulic Pump
	Double Acting
Output	50 Ton
Punch Dies	16mm, 18mm, 22mm, 25mm
Max. Thickness	16 mm (Mild Steel)
	20 mm (Copper/Aluminum Busbar)
Throat Depth	115 mm
Packing Weight	92 kg
Packing Dimension	370x220x480 mm

Model	CH-150
Pump System	Min. 7L 700bar Hydraulic Pump
	Double Acting
Output	150 Ton
Punch Dies	22mm, 25mm, 28mm, 32mm
Max. Thickness	25mm (Mild Steel)
Max. Hole Diameter	50mm
Throat Depth	150 mm
Packing Weight	222 kg
Packing Dimension	500x295x605 mm



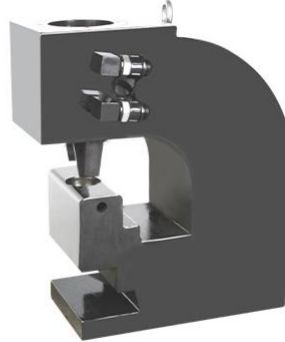


## PRODUCT PARAMETER





CH-100A



CH-100AB

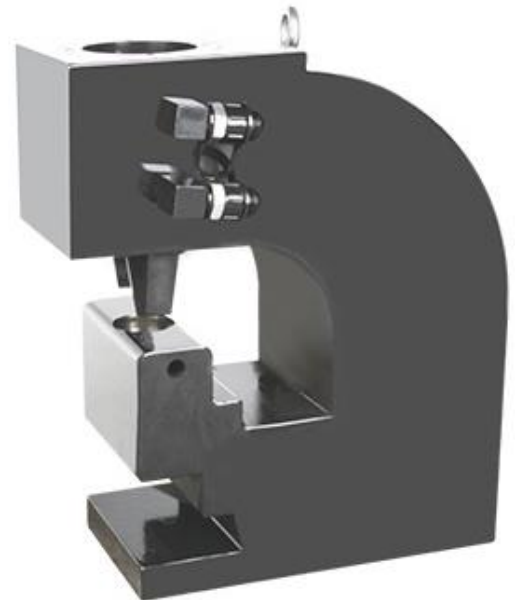


CH-100H

## FUNCTION DESCRIPTION

The large-tonnage hydraulic punching machine is a recently developed hydraulic punching tool specially designed for punching thick copper bars, aluminum bars, flat steel, angle steel and other metal materials.

Mainly used in steel structure, large steel mills, bridges, heavy industry, shipbuilding and other industries.



Model	Output Force (Ton)	Max Thickness(mm)			Throat Depth	Standard Dies (mm)	G.W. (kg)	Packing Size (cm)	
		Iron Sheet	Copper Busbar	Angle Iron					
CH-100AB	100	20	20	20	130	Φ10.5,Φ13.5,Φ17,Φ20.5	150	38×21×45	
Aperture(mm):Φ3/8*(10.5),Φ1/2*(13.8),Φ5/8*(17.5), Φ3/4*(20.5),Need to match pump:CP-700,ZCB-700A,ZCB-700D									
Model	Output Force (Ton)	Iron Plate Thickness (mm)	Copper Thickness (mm)	Angle Iron	Channel wide surface	Deep Throat	Standard Dies (mm)	G.W. (kg)	Packing Size (cm)
CH-100A	100	20	20	8-16	10-25#	135	Φ22,Φ25,Φ28,Φ32	140	42×24×54
Applicable Scope: Iron Sheet, Copper Sheet, Angle Steel, Channel Steel, H Steel									
Model	Output Force (Ton)	Iron Plate Thickness (mm)	Copper Thickness (mm)	Angle Iron	Channel wide surface	Deep Throat	Standard Dies (mm)	G.W. (kg)	Packing Size (cm)
CH-100H	100	20	20	8-16	10-25#	135	Φ22,Φ25,Φ28,Φ32	180	42×42×62
Applicable Scope: Iron Sheet, Copper Sheet, Angle Steel, Channel Steel, H Steel									





## PRODUCT PARAMETER



Male connector  
and dust cap



Metal lifting ring,  
firm to use



Lower punching die



Upper punching die