



ACCESSORIES HYDRAULIC ACCESSORIES



Gauges

Gauges are for monitoring pressure of the hydraulic circuit.



PSI-14500



BAR-1000



MPA-1000

Part Name	Part Number	Gauge Face	Thread
Silicon oil filled pressure gauge	PSI-14500	Ø100mm	M20×1.5
	BAR-1000	Ø100mm	M20×1.5
	MPA-1000	Ø60mm	1/4"NPT



Gauge adaptor

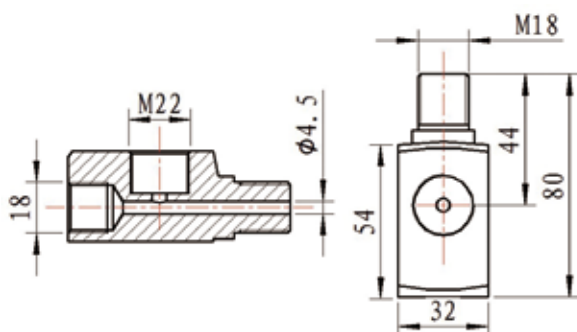
For easy gauge installation into almost any system, TLP offers a complete line of gauge adaptors.

Gauge Adaptors

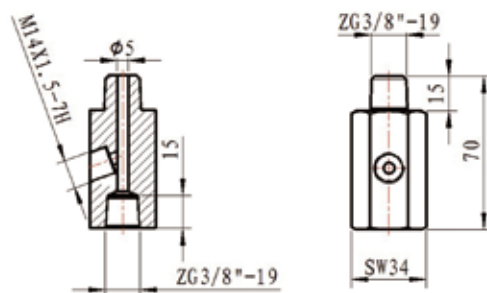
For quick and easy gauge installation



GA7001



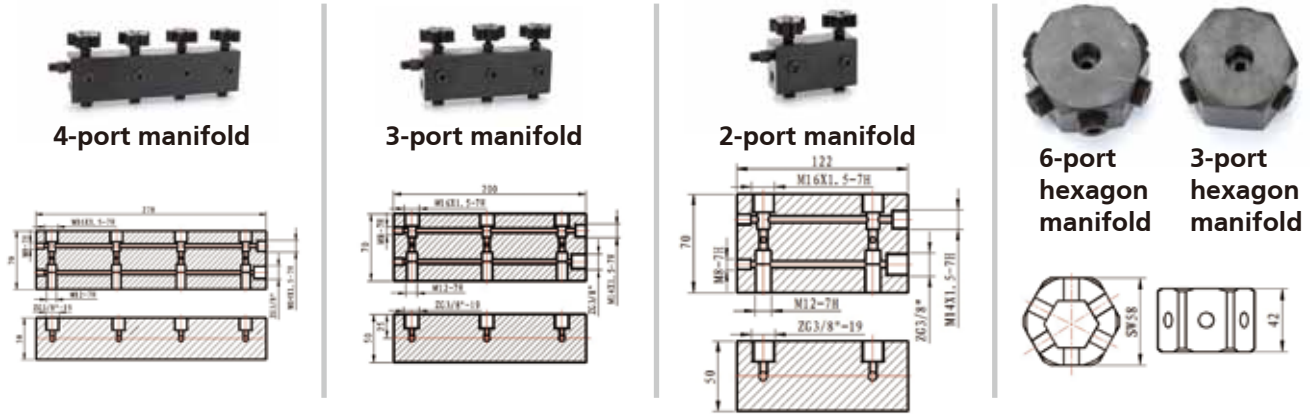
GA7002





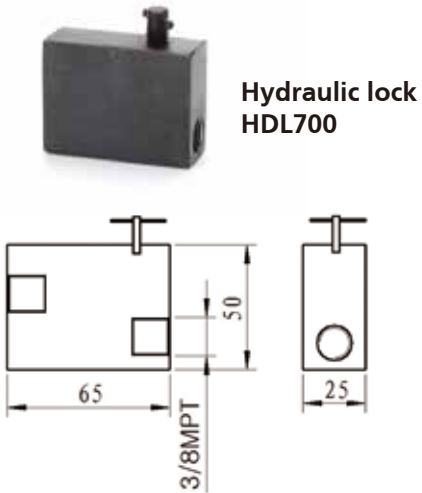
Manifolds

Allow distribution of hydraulic fluid from one power source to several cylinders.
Working pressure 700 bar, outlet port 3/8" NPT.



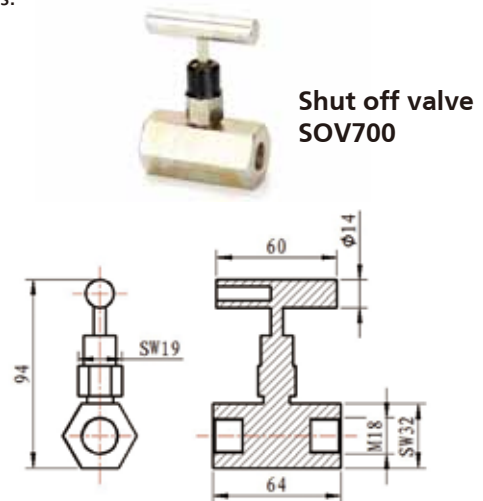
Safety Holding Valve

Controls load descent in lifting applications.



Needle Valve

Regulates the flow of hydraulic fluid to or from the cylinders.



3-Way Directional Control Valve

Controls the direction of hydraulic fluid in a single-acting system.

