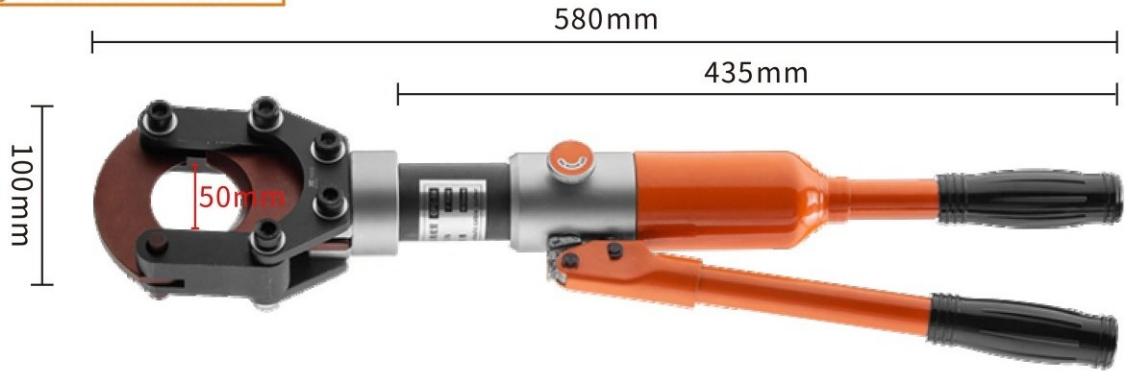




CPC-50

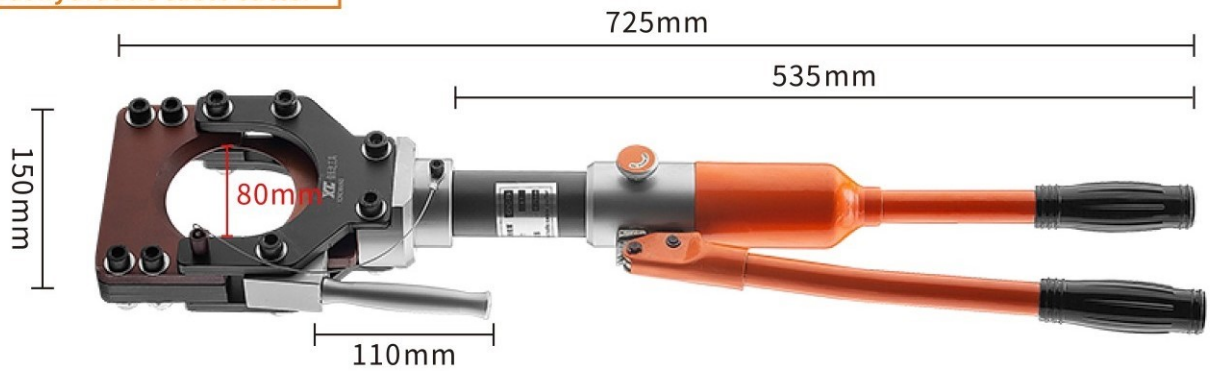
CPC-50 Integral hydraulic cable cutter



OUTPUT	PACKING DIMENSION	WEIGHT (Unit/Pkg)	CUTTING RANGE
7T	600X150X96mm	6kg/6.6kg	φ50mm within φ 50mm Cu armored cable

CPC-75

CPC-75 Integral hydraulic cable cutter

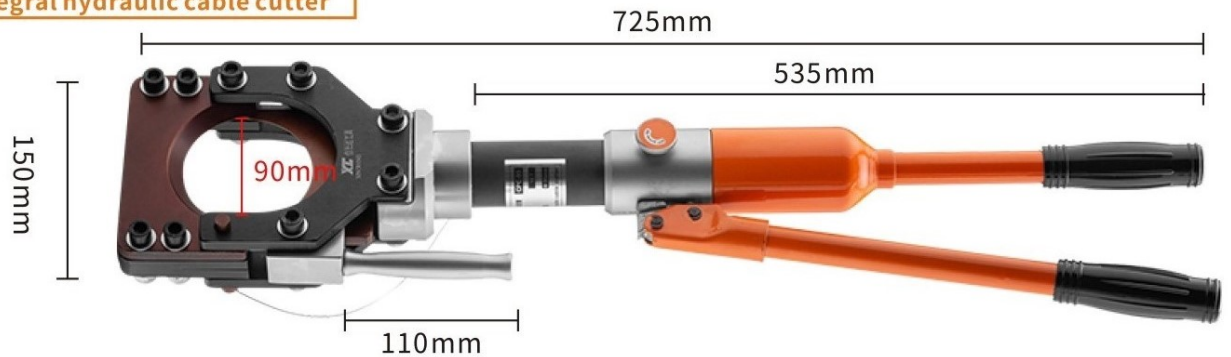


OUTPUT	PACKING DIMENSION	WEIGHT (Unit/Pkg)	CUTTING RANGE
8T	760X135X95mm	9kg/9.6kg	φ75mm within φ 75mm Cu armored cable



CPC-85

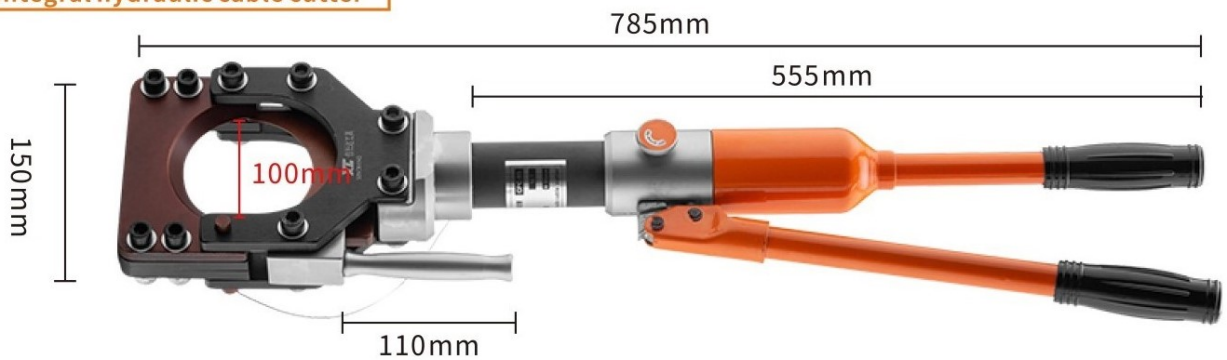
CPC-85 Integral hydraulic cable cutter



OUTPUT	PACKING DIMENSION	WEIGHT (Unit/Pkg)	CUTTING RANGE
8T	760X135X95mm	9.7kg/10.3kg	φ85mm within φ 85mm Cu armored cable

CPC-95

CPC-95 Integral hydraulic cable cutter



OUTPUT	PACKING DIMENSION	WEIGHT (Unit/Pkg)	CUTTING RANGE
10T	810X135X95mm	10kg/10.6kg	φ95mm within φ 95mm Cu armored cable